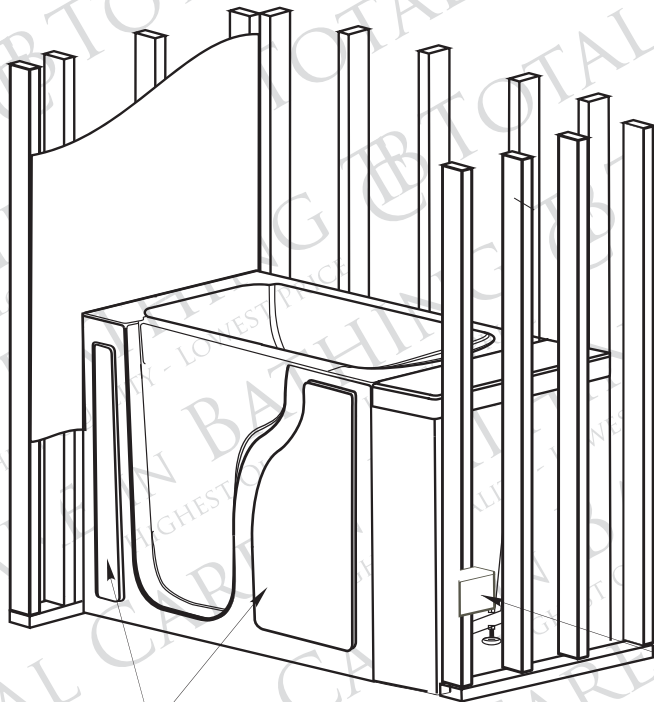
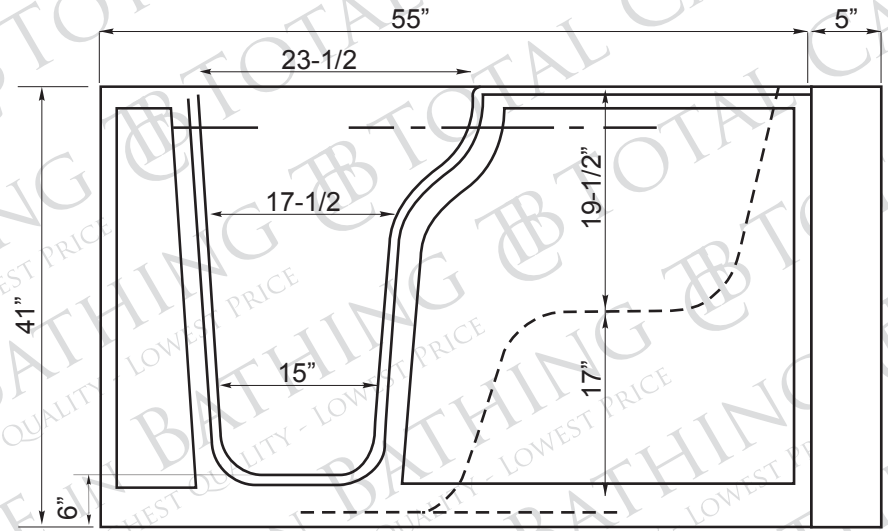


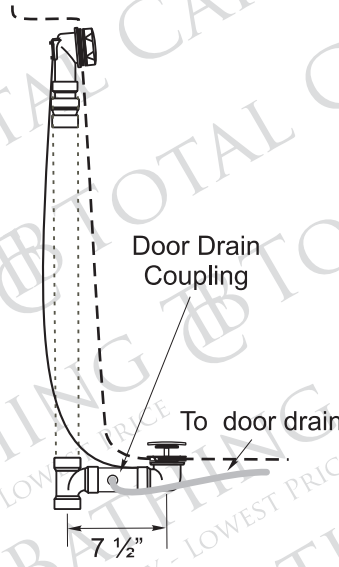
TOTAL CARE IN BATHING

BS Series Model 3555 Blueprint

80 Gallon Operating Capacity



Removable access panels



Door Drain Coupling
To door drain

Electrical supply location

